

IES3020-4GS-P(12/48VDC)

16 port 10Base-T/100BaseTX + 4 port 1000Base-FX SFP

Features

- 1.Support 16 port 10Base-T/100Base+ 4 port 1000Base-FX SFP
- 2.Support MAC address auto-learning, auto-aging.
- 3.Support 8K MAC address table
- 4.System exchange bandwidth: 11.2Gbps
- 5.Support redundancy power supply(12~48VDC), non-polarity
- 6.Support flow control
- 7.Support Broadcast storm suppression
- 8.Support 1ch relay alarm output
- 9.Working temperature: -40℃~85℃
- 10.DIN rail mounted
- 11.No fan, low consumption.
- 12.Metal shell, IP40 protection class.



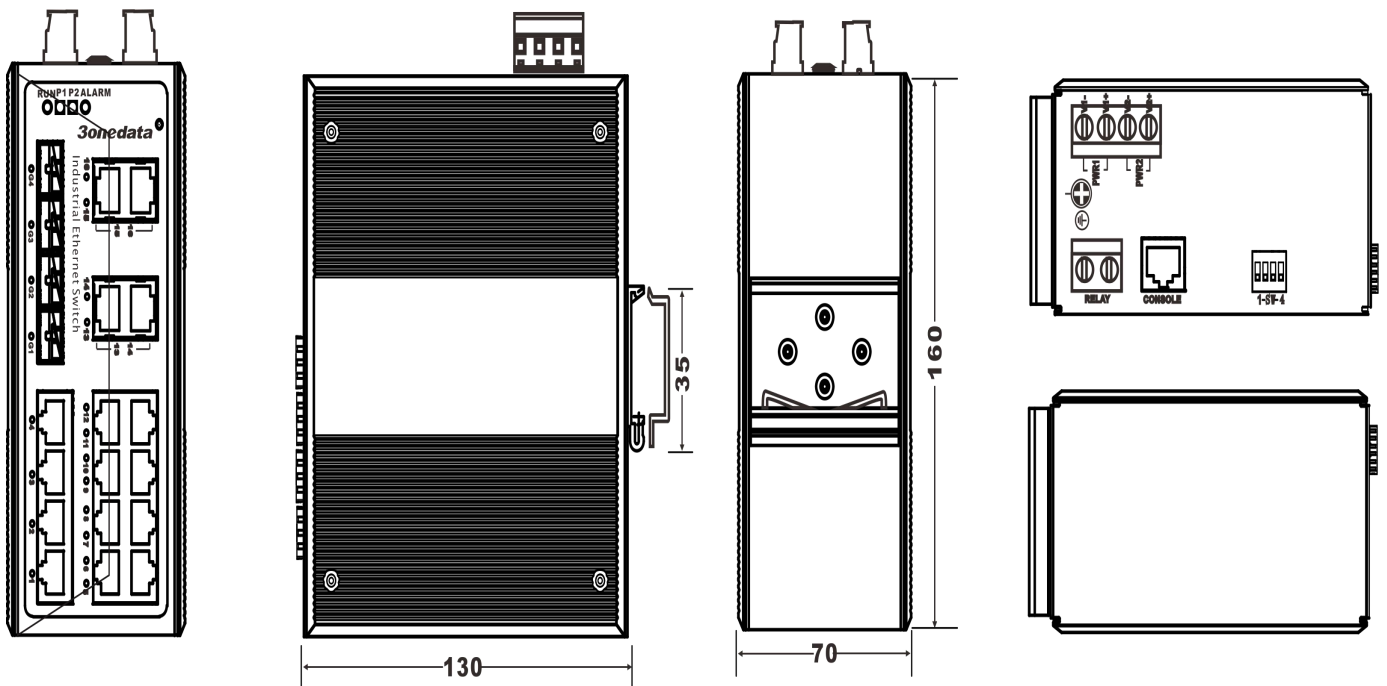
Introduction

IES3020-4GS-P(12/48VDC) is a unmanaged Industrial Ethernet switch with high performance, high cost-effective, it provided 16 port 10Base-T/100Base-TX Ethernet+ 4 port 1000Base-FX SFP slot. It supports auto flow control, full/half duplex

mode and MDI/MDI-X self-adaption. It built in standard industry design, all components are based on Industry grade, no fan, low consumption, can satisfied some kinds of requirements of industry field, to achieve high reliability.

Dimension and appearance

Unit(mm)





Specification

Technology

Standard: IEEE802.3, IEEE802.3u, IEEE802.3x

Flow control: IEEE802.3x, back pressure

Interface

Electric port: 10Base-T/100Base-TX auto speed control, Half/full duplex and MDI/MDI-X auto detection

100M fiber port: 100Base-FX, SC/ST optional

1000M fiber port: 1000Base-FX (SFP port)

Alarm port: 2bit 7.62mm Terminal block

1 channel relay alarm output

Transfer distance:

Twisted cable: 100M (standard CAT5/CAT5e cable)

Multi mode fiber:1310nm, 500m

Single mode fiber: 1310nm, 20/40/60Km
1550nm, 60/80/100/120Km

Exchange attribute:

100M forward speed: 148810pps

1000M forward speed: 1488100pps

100M maximum filter speed:148810pps

1000M maximum filter speed:1488100pps

Transmit mode: store and forward

System exchange bandwidth: 11.2G

MAC address table: 8K

Memory:256Kbits

LED indicator

Power supply indicator: P1, P2

Alarm indicator: ALARM

Running status indicator: RUN

100M port connection/running status: Link/Act(1~16)

1000M port connection/running status: Link/Act(G1~G4)

Power supply

Input voltage: 12~48VDC

Input method: 4 bits 7.62mm terminal block

No-load consumption:4.752W@24VDC

Full-load consumption: 9.854W@24VDC

Support DC dual power supply redundancy

Overload current protect: 4.0A(DC)

Power supply support non-polarity

Mechanical Structure:

Shell: IP40 protect grade, metal shell

Installation: DIN rail and wall mount

Size (W×H×D): 160mm×130mm×70mm

Weight: 1016g

Working environment:

Working temperature: -40~85℃

Storage temperature:-40~85℃

Relative Humidity: 5%~95%(no condensation)

Standard

EMI: FCC Part 15, CISPR (EN55022) class A

EMS: EN61000-4-2 (ESD), Level 4

Shock: IEC 60068-2-27

Free fall: IEC 60068-2-32

Shake: IEC 60068-2-6

Warranty

Warranty time: 5 years

Certification

CE, FCC, RoHS, UL508(Pending)

Ordering information

Model number(-40℃~85℃)	10/100M Ethernet	1000M Fiber (LC)		12~48VDC
		SM	MM	
IES3020-4GS	16	4	—	
IES3020-4GS	16	—	4	